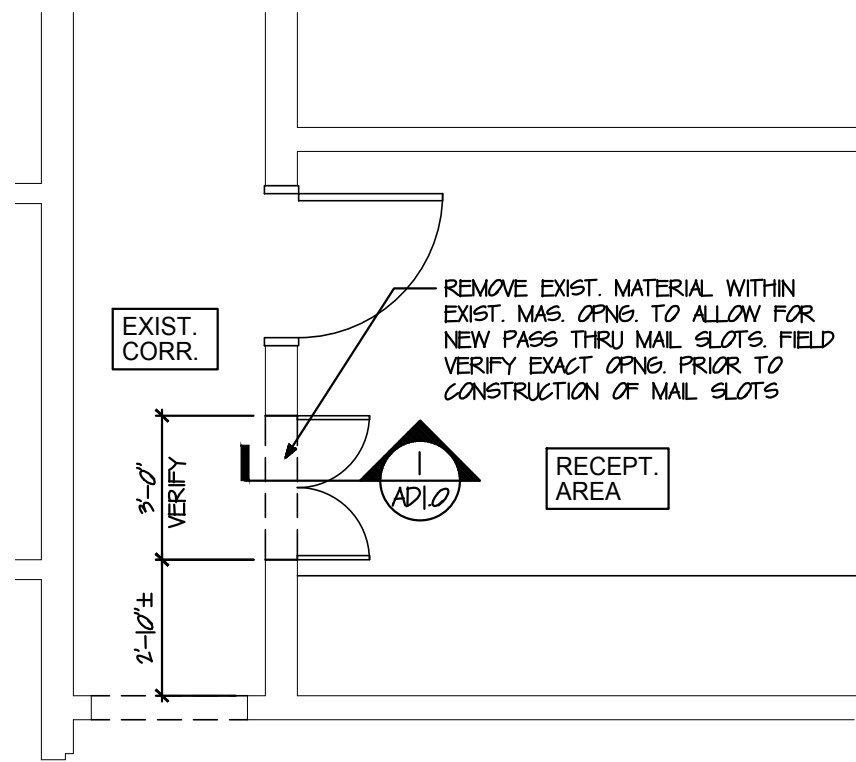


**Borough of Chambersburg
Service Center Renovation Project
Addendum No. 2
6/20/22**

Drawings:

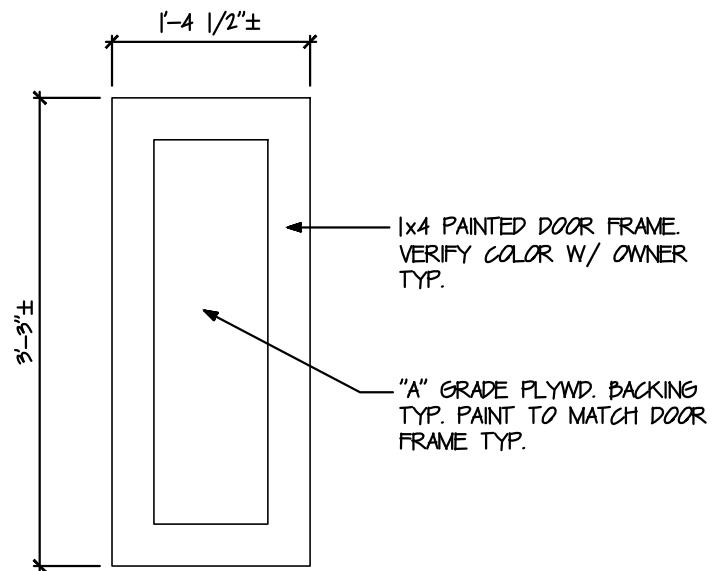
2-1 ADD: Add Drawing AD1.0 for details for mail slot.

End of Addendum No. 2



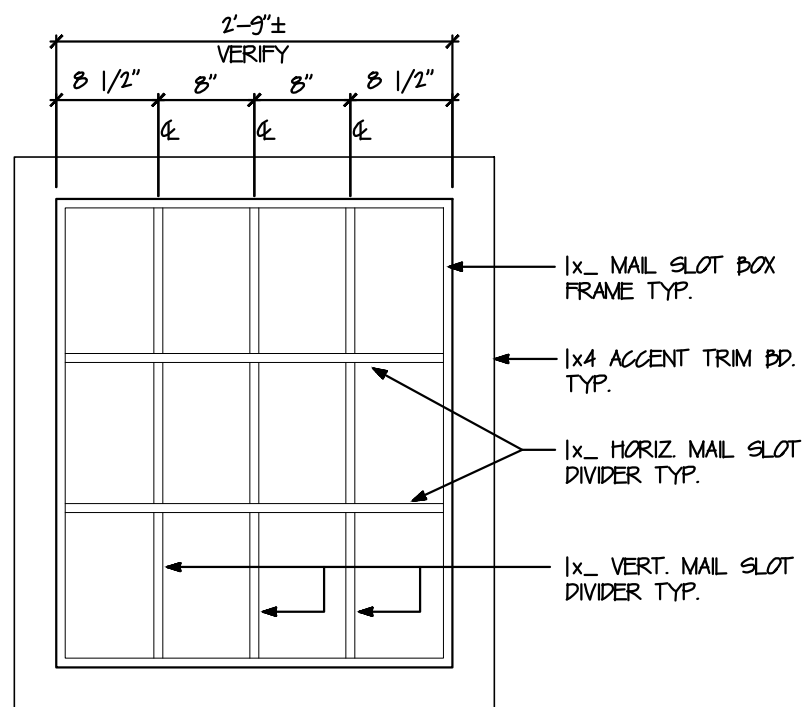
FLOOR PLAN

SCALE: 1/4" = 1'-0"

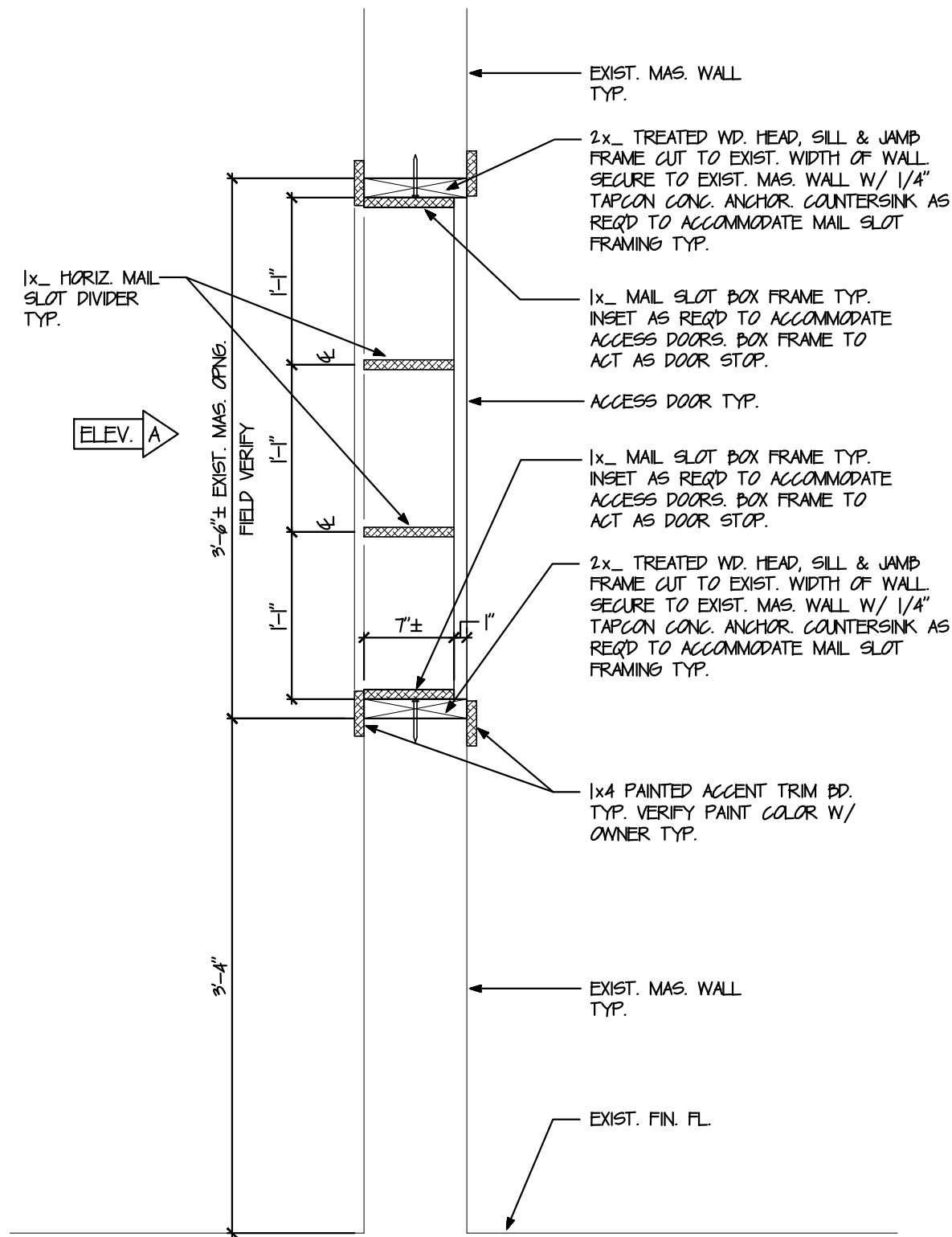


TYP. ACCESS DOOR

TYP. (2) SCALE: 3/4" = 1'-0"



ELEV. "A"



1 CROSS SECTION

SCALE: 1" = 1'-0"

<p>SHEET</p> <p>AD 1.0</p>	<p>RENOVATIONS TO EXIST. BOROUGH SERVICE CENTER</p> <p>80 S. FRANKLIN STREET, CHAMBERSBURG PA.</p>	<p>DENNIS E. BLACK ENGINEERING, INCORPORATED</p> <p>2400 PHILADELPHIA AVENUE CHAMBERSBURG, PENNSYLVANIA 17201</p> <p>PHONE: (717) 263-8794 FAX: (717) 263-7052</p>
	<p>WALL PASS THRU MAIL BOX</p>	



Borough of Chambersburg

*A full service municipality in Franklin County
celebrating over 65 years of consumer owned natural gas service
over 120 years of community electric and a
regional wastewater, water, and municipal solid waste utility*

NOTICE OF RECEIPT

I have received the Addendum No. 2 for the
**Borough of Chambersburg
Service Center Renovation Project**

Company

Contact Person

Date Received

Mail to: Jennifer Sprenkle
Borough of Chambersburg
100 South Second Street
Chambersburg, PA 17201
or Fax: 717-261-3240
email: jsprenkle@chambersburgpa.gov